

SURECOM SR-629
2 in 1 Duplex Repeater Controller



USER'S MANUAL

MODEL NO. SR-629 V1.03

Features:

Repeater controller for 2 of radio
Build in Battery ,work up to 48hours
2 mode of Duplex Mode Cross Band Mode

Specifications:

Model:	SR-629
Audio :	Analog
Build-in Battery :	Li-ion 3.7V 600MAH
Power in:	5V (micro usb)
PLUG in:	3.5mm x17mm 4 pole
LED:	2 for A/B CH
Size :	70*90*28 mm
Net Weight :	68g
Battery Life :	24-48 Hours
Package	
	1x SR-629
	1x English Instructions
	1x USB Charger Cable
	1x USB Power Supply

How to Connect Radio :

A Connect to Radio 1 (Cable optional)
B Connect to Radio 2 (Cable optional)
USB connect to Charger cable

Battery charger :

Connect the charger to SR-629 USB,the red light bright when start charging ,and green light bright when battery it is fully.

Turn on / off / mode select

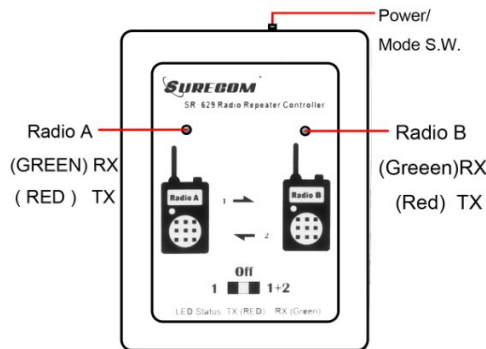
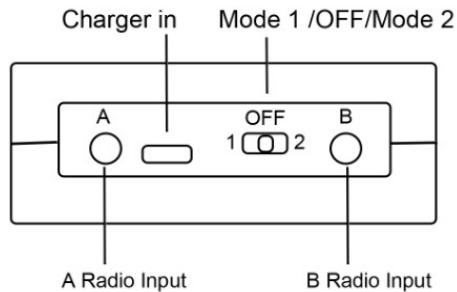
Power off when mode switch is center.
Mode 1 and Power ON when mode switch is left.
Mode 2 and Power ON when mode switch is right

MODE 1

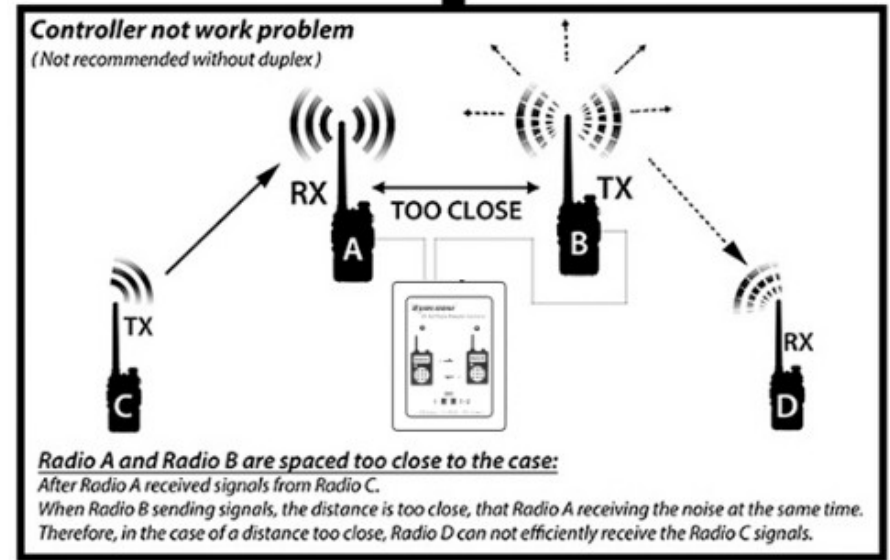
Radio A is received , control Radio B is TX

MODE 2

Radio A is received , control to Radio B is TX
Radio B is received , control to Radio A is TX



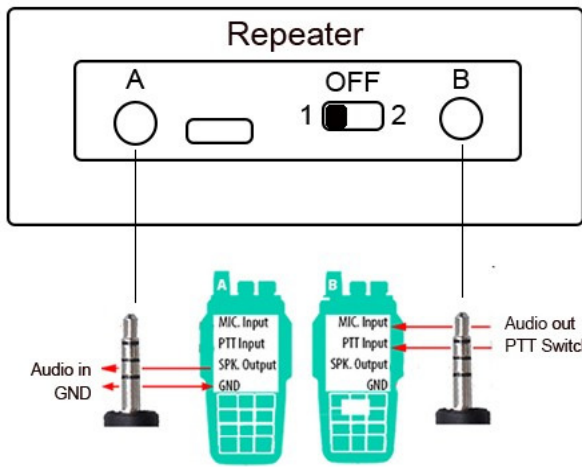
PROBLEM	SOLUTION
NO SYSTEM	Confirm Power Switch turn left and right for Power ON
TX and RX ERROR	Radio Get More Noise Please set CTCSS or CTCSS for repeater Operation Please change radio frequency
Insufficient Charge	Battery Charger or Battery defective,you need to be replaced
Repeater controller No Reaction	Radio Problem and Radio speaker volume level too low
Customers Service	Please contact : www.surecom.com.hk



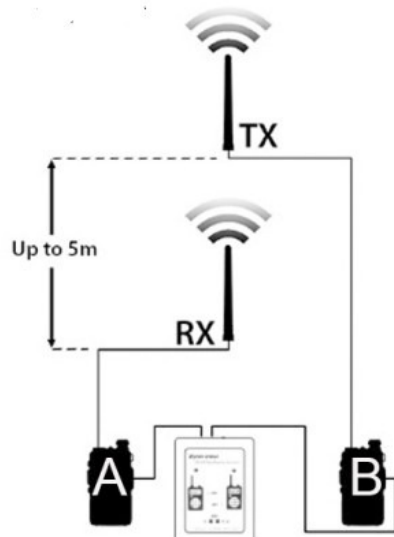
OPTIONAL ACCESSORIES



MODE 1

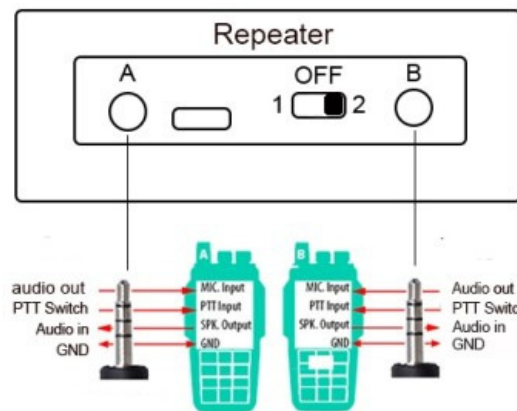


Mode 1 A (RX) to B (TX)

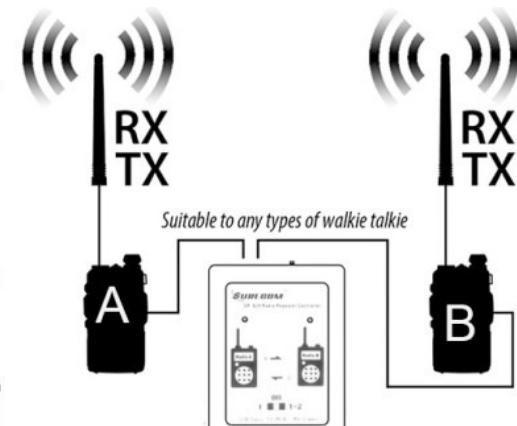


* TX/RX Antenna minimum separation distance up to 5 m (for better condition)

MODE 2

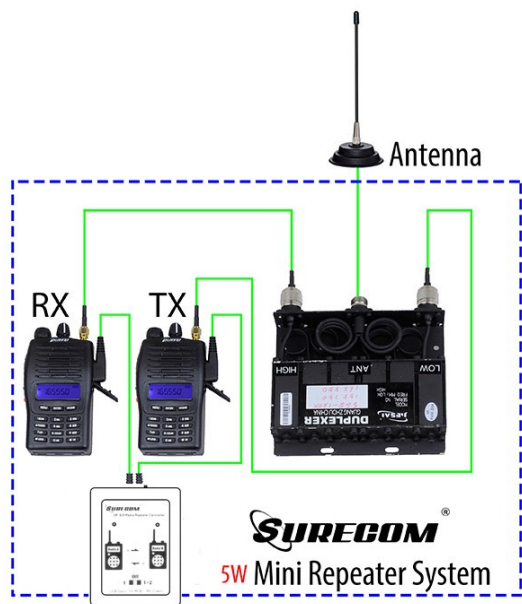


Mode 2 A (RX) to B (TX)
B (TX) to A (RX)



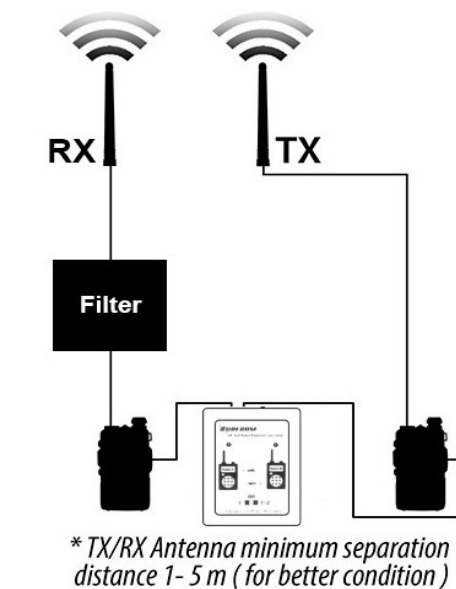
Set the frequency of walkie-talkie. Under the repeater, the different models of walkie-talkie can be used by this Repeater at the same time. Allow two different frequencies walkie-talkie communication with each other. Digital radio and analog radio can communicate with each other is also one of the characteristics of this repeater

With Duplexer

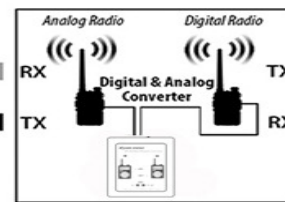


SAMPLE 1

With Filter



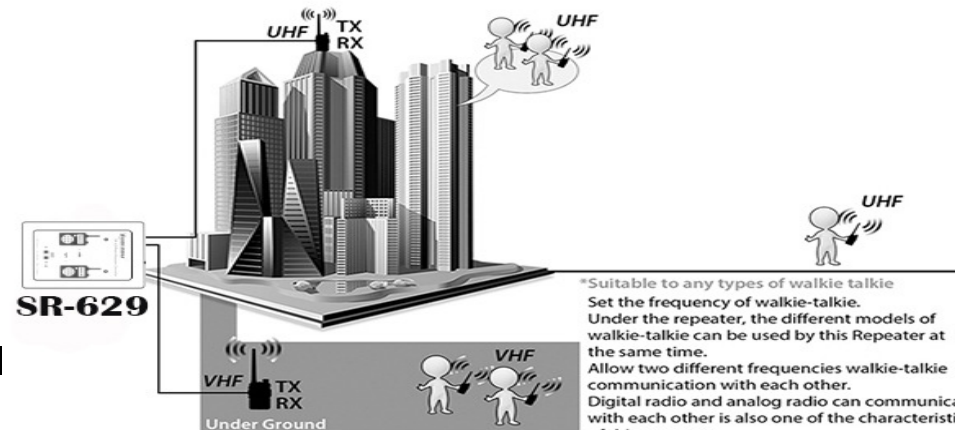
SAMPLE 2



Analog ↔ Digital
2 Group of different radio mode Communication



SAMPLE 3



SAMPLE 4

* Suitable to any types of walkie talkie. Set the frequency of walkie-talkie. Under the repeater, the different models of walkie-talkie can be used by this Repeater at the same time. Allow two different frequencies walkie-talkie communication with each other. Digital radio and analog radio can communicate with each other is also one of the characteristics of this repeater.